

AT89STK07 Starter Kit for AT83C24

.....

User Guide





Section 1

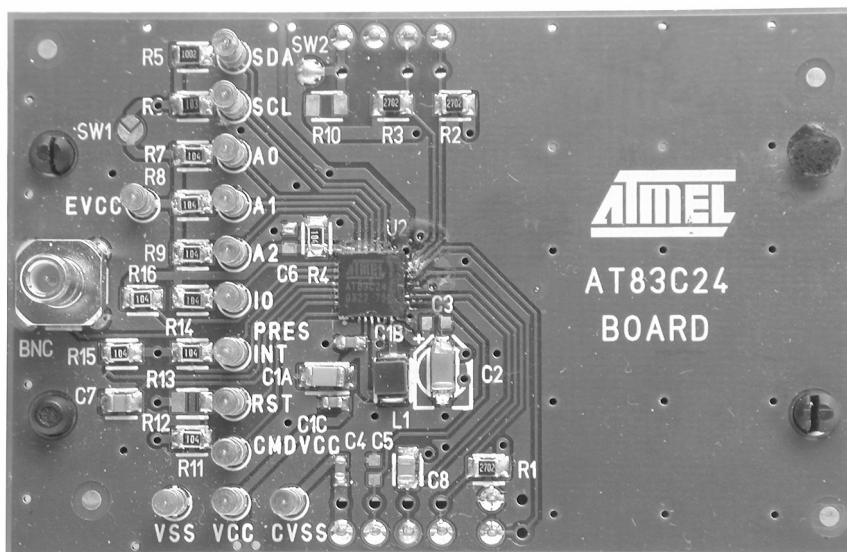
Description

This document describes the AT89STK07 starter kit dedicated to the AT83C24 Smart Card Reader Interface IC.

Equipped with an ISO7816 card slot, the kit allows to configure AT83C24 I/Os and evaluate component functionality.

Please refer to the AT83C24 datasheet, available on the Atmel web site, for detailed characteristics.

Figure 1-1. Starter kit



Description

Figure 1-2. Component Side

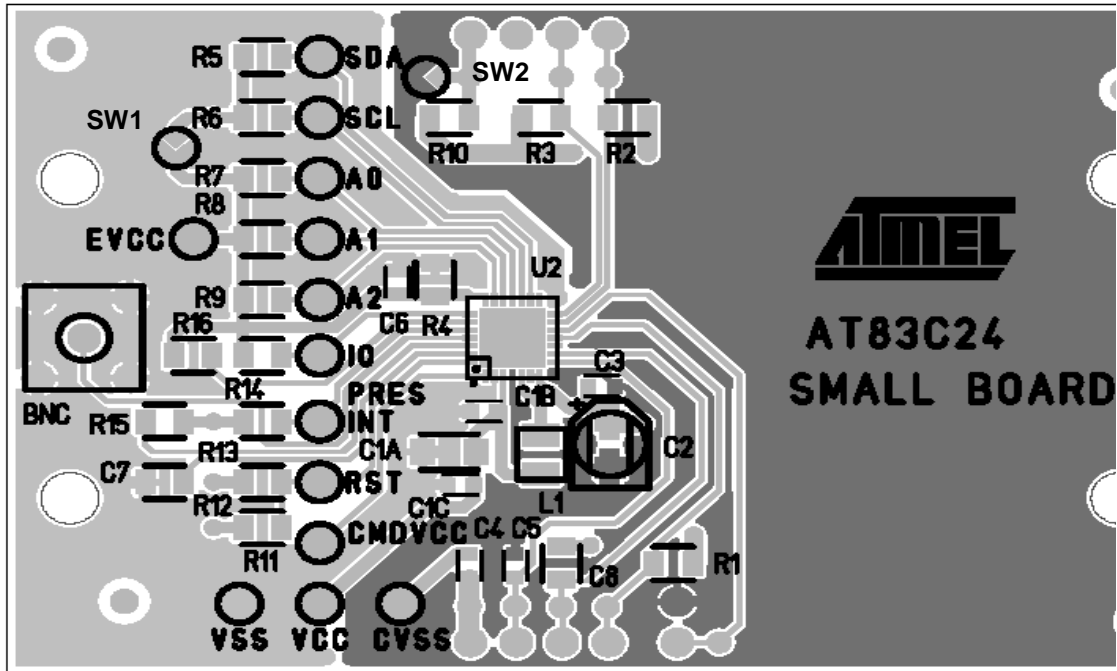


Figure 1-3. Schematic

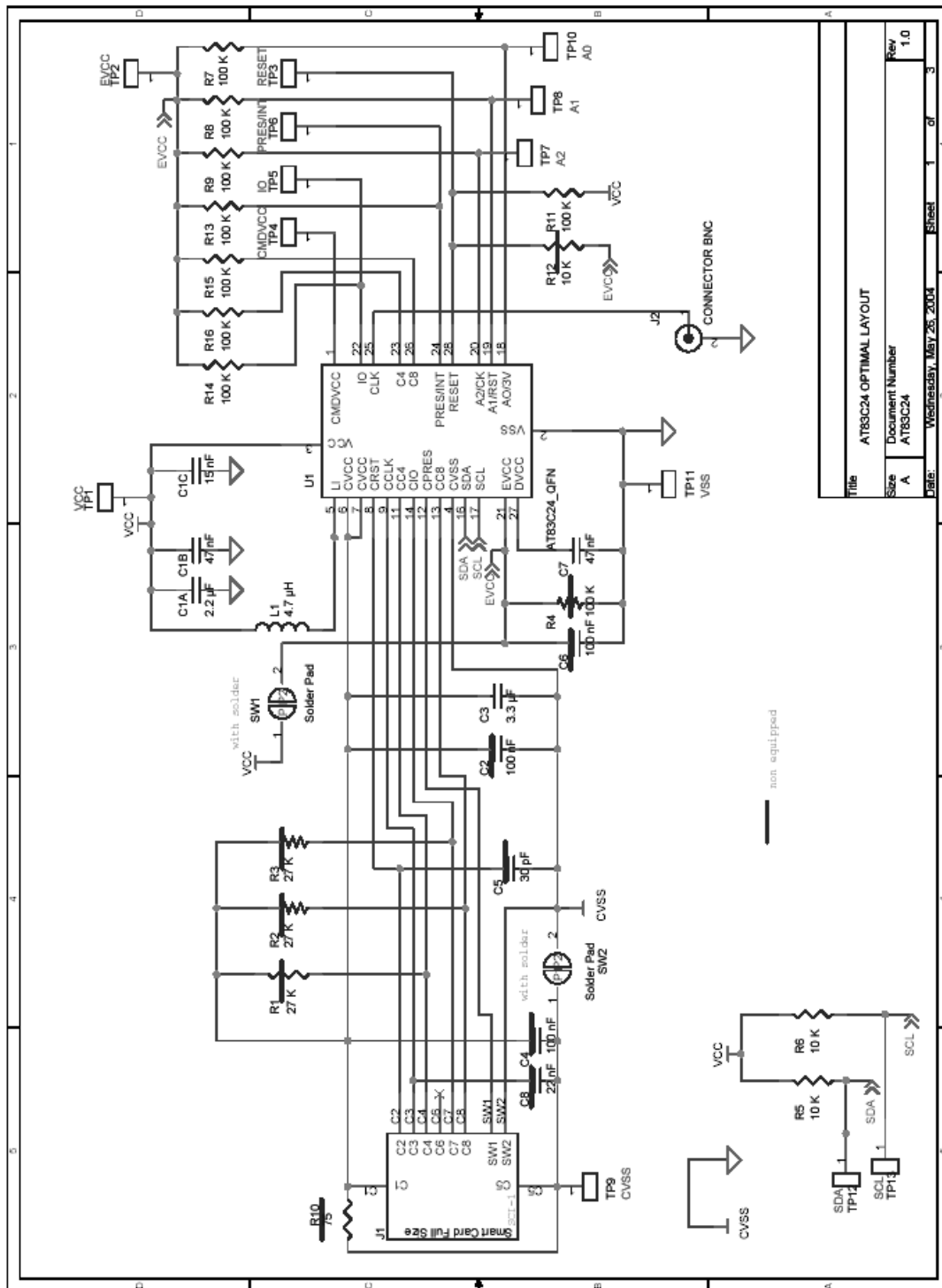
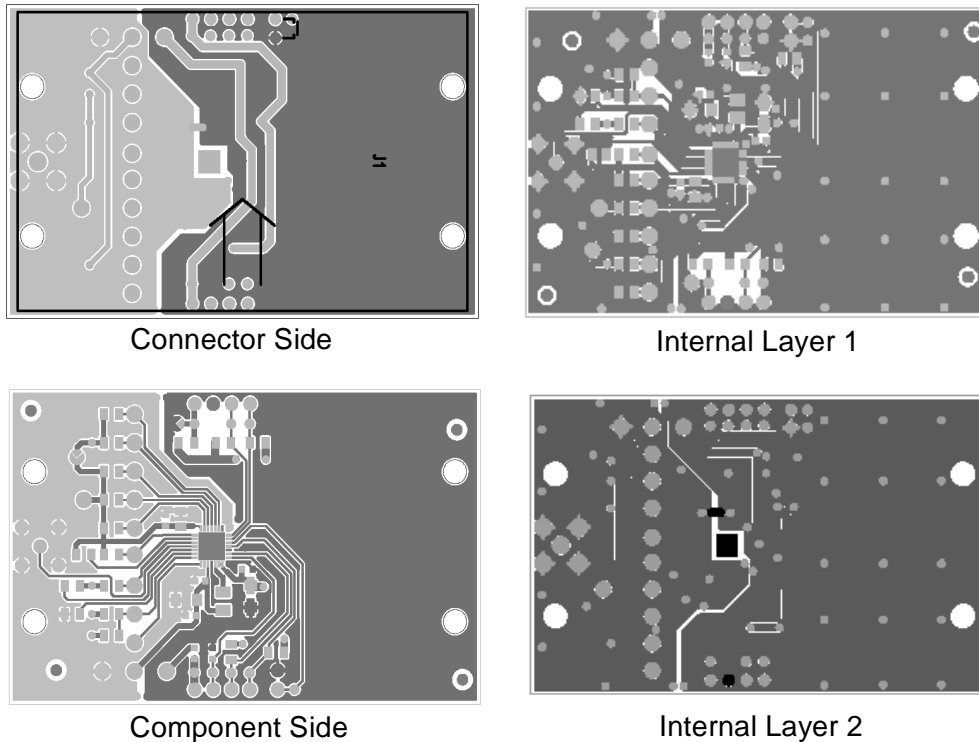


Table 1-1. Bill of Materials

Ref	Part	Description	Manufacturer
C1A	2.2 μ F	X7R serie	
C1C	15 nF	X7R serie	
C2	3.3 μ F	Mandatory	
C4	100 nF	X7R serie	
C3, C5, C6, C8	not soldered		
C1B, C7	47 nF	50V-5% Ceramic Capacitor	
J1	Smart Card Full Size	FCI 7334L2622F01	
J2	CONNECTOR BNC	SMB RIGHT ANGLE	
L1	4.7 μ H	LQH32CN4R7M33L	MURATA
R5, R6, R12	10 K	1/16W-5% Resistor SMD	
R7,R8, R9, R11, R13, R14, R15, R16	100 K	1/16W-5% Resistor SMD	
R1, R2, R3, R4, R10	not soldered		
U2	AT83C24_QFN		
SW1, SW2		With Solder	

Figure 1-4. PCB Layout layers





Atmel Corporation

2325 Orchard Parkway
San Jose, CA 95131
Tel: 1(408) 441-0311
Fax: 1(408) 487-2600

Regional Headquarters

Europe

Atmel Sarl
Route des Arsenaux 41
Case Postale 80
CH-1705 Fribourg
Switzerland
Tel: (41) 26-426-5555
Fax: (41) 26-426-5500

Asia

Room 1219
Chinachem Golden Plaza
77 Mody Road Tsimshatsui
East Kowloon
Hong Kong
Tel: (852) 2721-9778
Fax: (852) 2722-1369

Japan

9F, Tonetsu Shinkawa Bldg.
1-24-8 Shinkawa
Chuo-ku, Tokyo 104-0033
Japan
Tel: (81) 3-3523-3551
Fax: (81) 3-3523-7581

Atmel Operations

Memory

2325 Orchard Parkway
San Jose, CA 95131
Tel: 1(408) 441-0311
Fax: 1(408) 436-4314

Microcontrollers

2325 Orchard Parkway
San Jose, CA 95131
Tel: 1(408) 441-0311
Fax: 1(408) 436-4314

La Chantrerie
BP 70602
44306 Nantes Cedex 3, France
Tel: (33) 2-40-18-18-18
Fax: (33) 2-40-18-19-60

ASIC/ASSP/Smart Cards

Zone Industrielle
13106 Rousset Cedex, France
Tel: (33) 4-42-53-60-00
Fax: (33) 4-42-53-60-01

1150 East Cheyenne Mtn. Blvd.
Colorado Springs, CO 80906
Tel: 1(719) 576-3300
Fax: 1(719) 540-1759

Scottish Enterprise Technology Park
Maxwell Building
East Kilbride G75 0QR, Scotland
Tel: (44) 1355-803-000
Fax: (44) 1355-242-743

RF/Automotive

Theresienstrasse 2
Postfach 3535
74025 Heilbronn, Germany
Tel: (49) 71-31-67-0
Fax: (49) 71-31-67-2340

1150 East Cheyenne Mtn. Blvd.
Colorado Springs, CO 80906
Tel: 1(719) 576-3300
Fax: 1(719) 540-1759

Biometrics/Imaging/Hi-Rel MPU/ High Speed Converters/RF Datacom

Avenue de Rochepleine
BP 123
38521 Saint-Egreve Cedex, France
Tel: (33) 4-76-58-30-00
Fax: (33) 4-76-58-34-80

e-mail

literature@atmel.com

Web Site

<http://www.atmel.com>

Disclaimer: Atmel Corporation makes no warranty for the use of its products, other than those expressly contained in the Company's standard warranty which is detailed in Atmel's Terms and Conditions located on the Company's web site. The Company assumes no responsibility for any errors which may appear in this document, reserves the right to change devices or specifications detailed herein at any time without notice, and does not make any commitment to update the information contained herein. No licenses to patents or other intellectual property of Atmel are granted by the Company in connection with the sale of Atmel products, expressly or by implication. Atmel's products are not authorized for use as critical components in life support devices or systems.

© Atmel Corporation 2004. All rights reserved. Atmel® logo and combinations thereof are registered trademarks, and Everywhere You AreSM are the trademarks of Atmel Corporation or its subsidiaries. Other terms and product names may be the trademarks of others.



Printed on recycled paper.